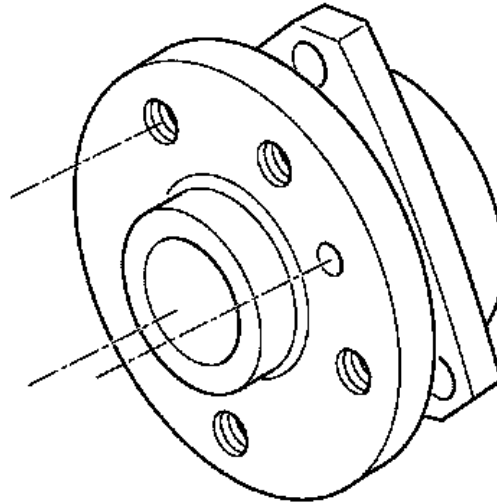


Lower Wishbone, Front, Remove and Install



Remove

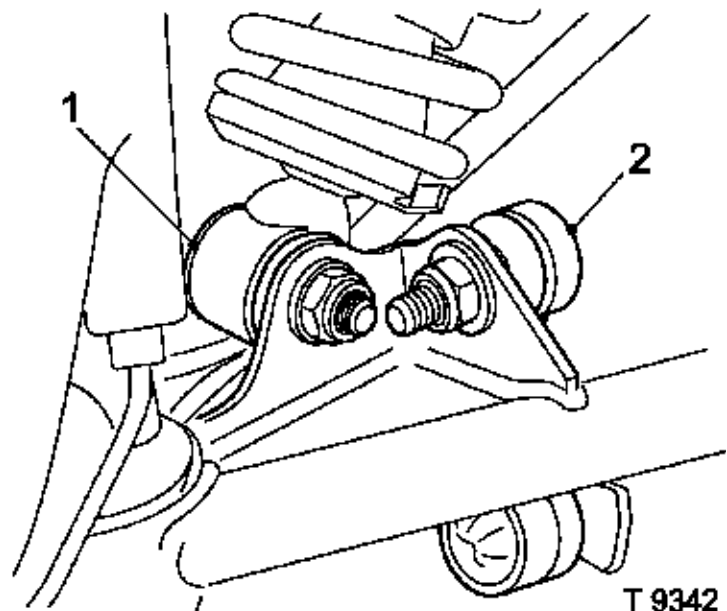
Wheel bearing assembly from hub carrier – see operation "Wheel Bearing Assembly, Remove and Install".



T 9340

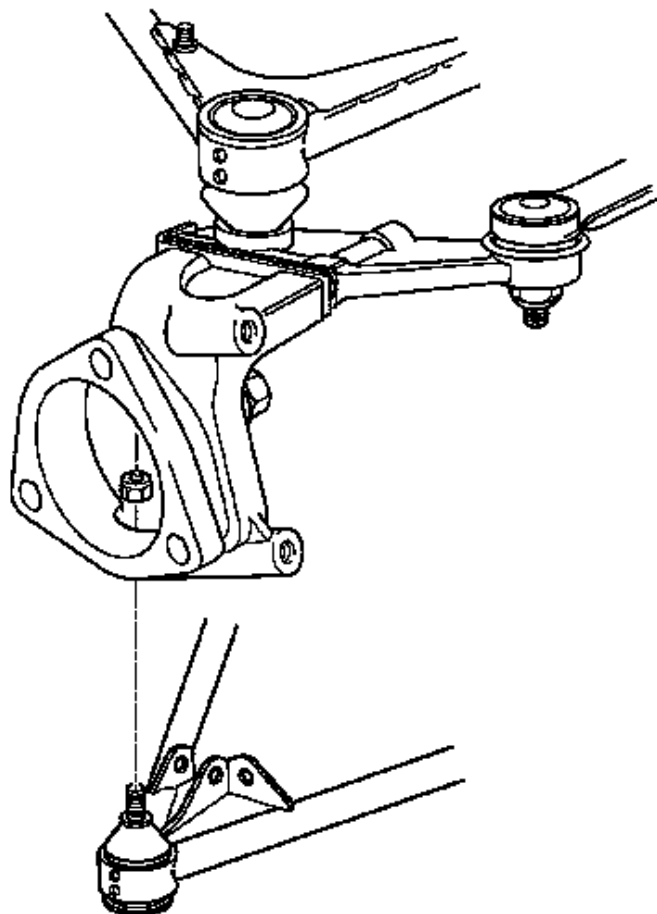
Shock absorber (1) from lower wishbone – bolt, nut, washer.

Stabiliser link (2) from lower wishbone – nut, washer.



T 9342

Lower swivel joint from hub carrier – nut; use suitable ball joint remover.

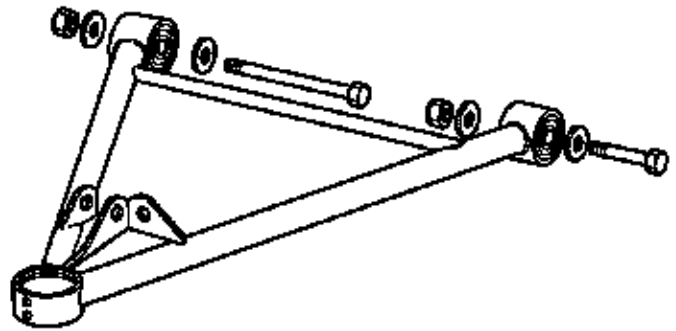


T 9343

Lower wishbone from chassis – bolts, nuts, washers.

**Install**

Lower wishbone to chassis – bolts, washers, nuts **45 Nm**.

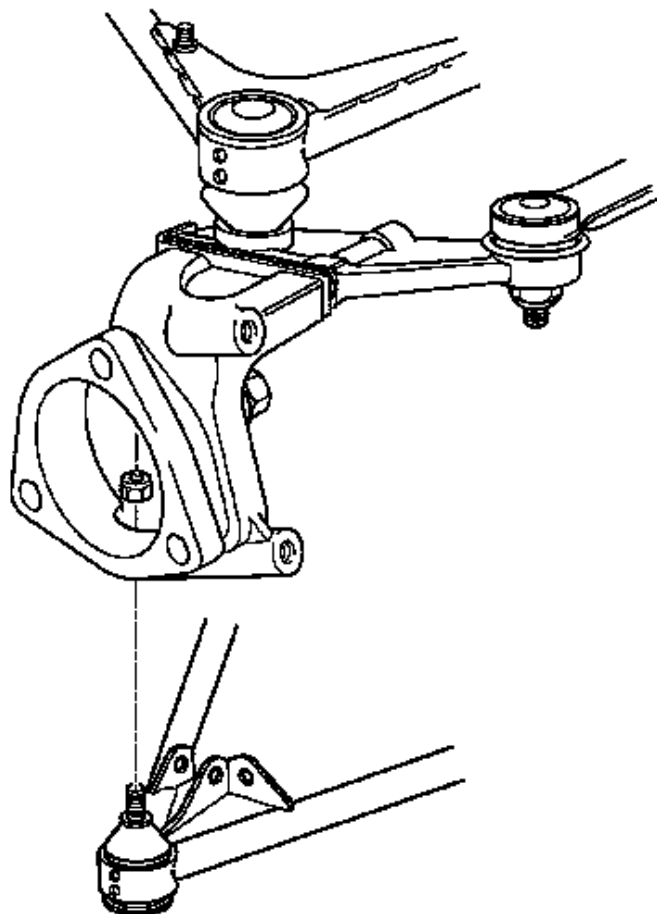


T 9344



Install

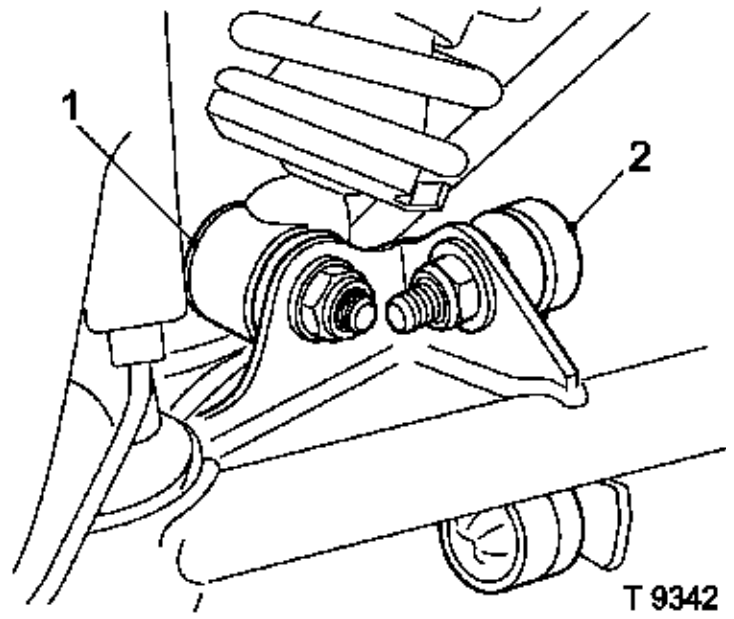
Lower wishbone to hub carrier – nut.



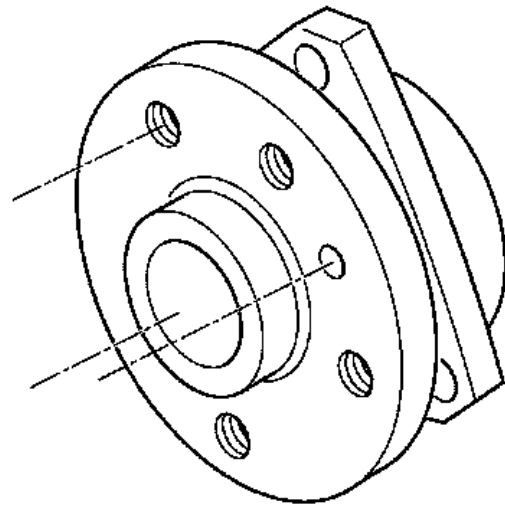
T 9343

Stabiliser link (2) to lower wishbone – washer, nut.

Shock absorber (1) to lower wishbone – bolt, washer, nut **45 Nm**.



Wheel bearing assembly to hub carrier – see operation "Wheel Bearing Assembly, Remove and Install".



T 9340